



# POTATO PEELER PI-10 230-400/50/3N

10 Kg. / 22 pounds load per cycle.



1000650



DYNAMIC PREPARATION  
COMMERCIAL POTATO PEELERS

## SALES DESCRIPTION

Stainless steel construction commercial potato peeler.  
Also suitable to peel carrots and other similar products.  
0-6 min. timer.  
Removable plate for easy cleaning.

- ✓ Construction in stainless steel.
- ✓ Lateral stirrers covered with silicon carbide abrasive (approved by NSF).
- ✓ Aluminium base plate lined with silicon carbide abrasive (approved by NSF), easily removable for cleaning purposes.
- ✓ Auto-drag of waste to the drain.
- ✓ Energy efficiency owing to engine optimisation.
- ✓ Lifiable transparent polycarbonate cover, complete with locking and safety device.
- ✓ Aluminium door with hermetic seal and safety device.
- ✓ Waterproof control board (IP65): Improved reliability against moisture and water splash.
- ✓ Water inlet system with non-return air break.
- ✓ Auxiliary contact for external electric valve.
- ✓ 0-6min timer and possibility of continuous operation.

## ACCESSORIES

- Stands for potato peelers
- Filters for potato peelers



SAMMIC, S.L.  
Basiglio, 1 - 20720 ACQUOITTA  
www.sammic.com



[www.sammic.co.uk](http://www.sammic.co.uk)

Food Service Equipment Manufacturer

Unit 2, Trevanah Road  
Troon Industrial Park  
LE4 9LS - Leicester

[uksales@sammic.com](mailto:uksales@sammic.com)  
Tel.: +44 0116 246 1900



Project	Date
Item	Qty
Approved	

product sheet  
updated 15/03/2021



# POTATO PEELER PI-10 230-400/50/3N

10 Kg. / 22 pounds load per cycle.



1000650

## SPECIFICATIONS

Hourly production: 200 Kg / 240 Kg  
 Capacity per load: 10 Kg  
 Timer (min-max): 0' - 6'  
 Total loading : 370 W  
 Electric power supply (V) : 230 V - 400 V /  
 50 Hz / 3 ~ ([intensidad\_max] - 1.1 A)  
 Plug: -

### External dimensions (WxDxH)

- ✓ Width: 435 mm
- ✓ Depth: 635 mm
- ✓ Height: 668 mm

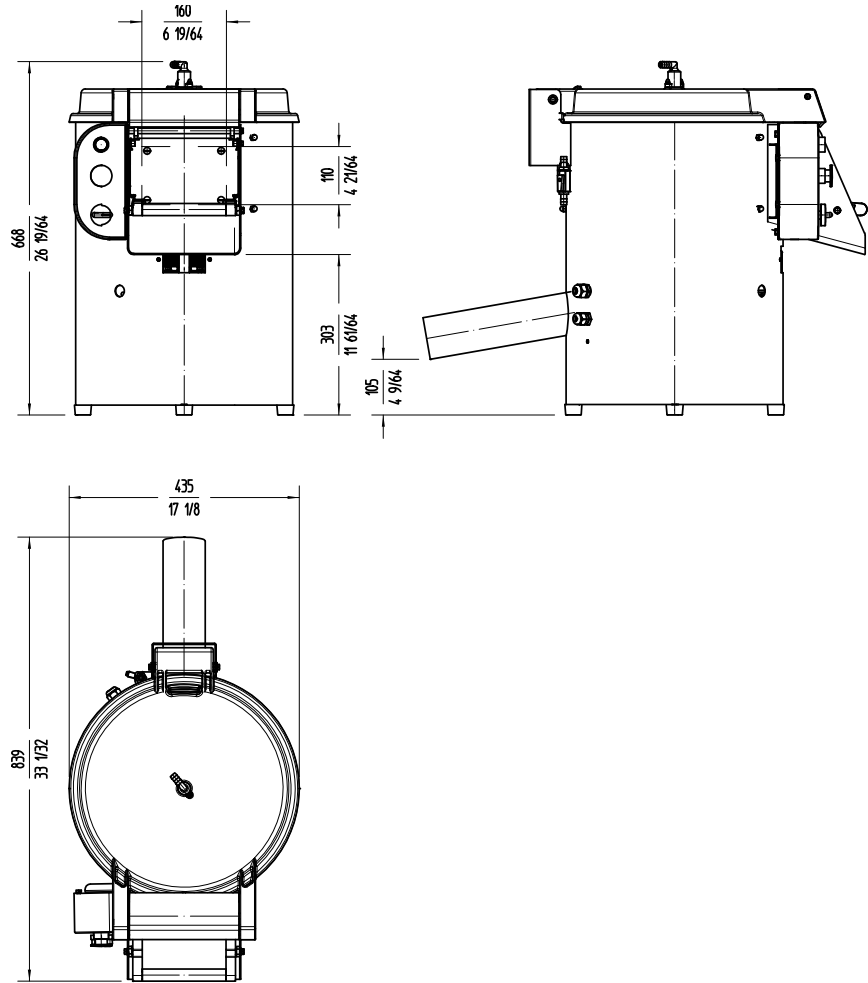
### External dimensions with stand

- ✓ Width with stand: 433 mm
- ✓ Depth with stand: 638 mm
- ✓ Height with stand: 1040 mm

Net weight: 34 Kg

### Crated dimensions

670 x 470 x 810 mm  
 Gross weight: 40.4 Kg.



DYNAMIC PREPARATION  
 COMMERCIAL POTATO PEELERS



[www.sammic.co.uk](http://www.sammic.co.uk)

Food Service Equipment Manufacturer

Unit 2, Trevanah Road  
 Troon Industrial Park  
 LE4 9LS - Leicester

[uksales@sammic.com](mailto:uksales@sammic.com)  
 Tel.: +44 0116 246 1900



Project

Date

Item

Qty

Approved

product sheet  
 updated 15/03/2021